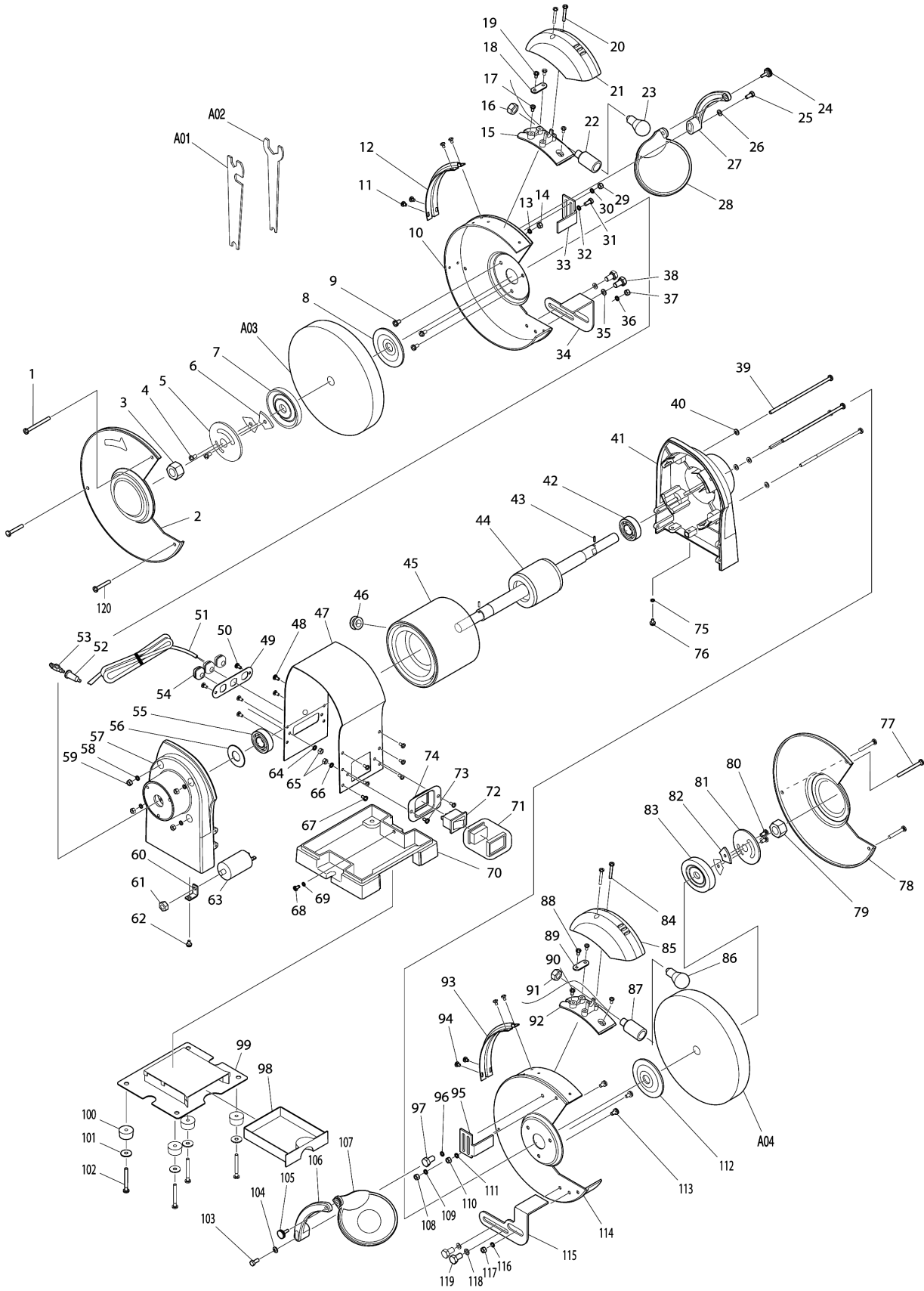


Model No.GB801 BENCH GRINDER 205MM



Model No.GB801 BENCH GRINDER 205MM

Položka	Objednávacie číslo	Popis	Zmena	ks	New/Old	Predaj	Nákup	Poznámka
001	911276-3	PAN HEAD SCREW M5X55		2		0,42		
002	AL00000219	WHEEL COVER L (OUTER) CE		1				
003	AL00000058	HEX NUT M16L		1				
004	AL00000059	PAN HEAD SCREW M5X5		2				
005	AL00000060	BALANCE PLATE		1				
006	AL00000061	BALANCE WEIGHT		2				
007	AL00000062	OUTER FLANGE		1				
008	AL00000182	INNER FLANGE		1		1,59		
009	911211-1	PAN HEAD SCREW M5X12		3		0,22		
010	AL00000220	WHEEL COVER L (INNER) CE		1				
011	911107-6	PAN HEAD SCREW M4X8		4				
012	AL00000065	CORD CLAMP		1				
013	942101-7	SPRING WASHER 5		1		0,22		
014	931201-8	HEX. NUT M5		1				
015	AL00000194	LAMP COVER BASE		1				
016	AL00000009	NUT		1		0,22		
017	911113-1	PAN HEAD SCREW M4X10 WITH WR		2		0,22		
018	AL00000010	STRAIN RELIEF		1				
019	911118-1	PAN HEAD SCREW M4X12		2		0,22		
020	911156-3	PAN HEAD SCREW M4X30		2				
021	AL00000011	LAMP COVER		1		2,12		
022	AL00000012	LAMP HOLDER ASSY		1	*			
022-1	AL00000138	LAMP HOLDER ASSEMBLY	X	1				
023	AL00000013	BULB		1		0,42		
024	AL00000014	ADJUSTABLE KNOB		1		0,22		
025	921351-7	HEX. BOLT M6X30		1				
026	941151-9	FLAT WASHER 6		1		0,22		
027	AL00000015	EYESHIELD MOUNTING ARM L		1		1,59		
028	AL00000016	SAFETY EYE SHIELD		1		2,66		
029	931201-8	HEX. NUT M5		1				
030	942101-7	SPRING WASHER 5		1		0,22		
031	921212-1	HEX. BOLT M5X12		1				
032	942101-7	SPRING WASHER 5		1		0,22		
033	AL00000066	SPARK DEFLECTOR (LEFT)		1				
034	AL00000067	WORK REST (LEFT)		1		2,12		
035	941202-8	FLAT WASHER 8		2		0,22		
036	942101-7	SPRING WASHER 5		1		0,22		
037	931201-8	HEX. NUT M5		1				
038	921411-5	HEX. BOLT M8X12		2				
039	AL00000068	PAN HEAD SCREW M5X142		4				
040	941101-4	FLAT WASHER 5		4		0,22		
041	AL00000069	MOTOR HOUSING COVER R		1				
042	211306-3	BALL BEARING 6204LLB		1		6,89		
043	951051-5	SPRING PIN 3-8		2		0,22		

Please order the parts with part number.

Print Date 8/10/2021

Model No.GB801 BENCH GRINDER 205MM

Položka	Objednávacie číslo	Popis	Zmena	ks	New/Old	Predaj	Nákup	Poznámka
044	AL00000191	ROTOR		1	*	16,98		
044-1	AL00000237	ROTOR	S	1				
045	AL00000190	STATOR		1	*	91,25		
045-1	AL00000236	STATOR	S	1				
046	AL00000022	BUSH		1		0,22		
047	AL00000184	MOTOR HOUSING(CE)		1				
048	911113-1	PAN HEAD SCREW M4X10 WITH WR		4		0,22		
049	AL00000192	CORD CLIP PLATE(CE)		1				
050	911113-1	PAN HEAD SCREW M4X10 WITH WR		2		0,22		
051	AL00000171	POWER SUPPLY CORD		1				
054	AL00000026	CORD GUARD		3				
055	211306-3	BALL BEARING 6204LLB		1		6,89		
056	AL00000073	WAVE WASHER		1		0,22		
057	AL00000074	MOTOR HOUSING COVER L		1				
058	942101-7	SPRING WASHER 5		4		0,22		
059	931201-8	HEX. NUT M5		4				
060	AL00000029	CAPACITOR CLAMP		1				
061	931402-8	HEX. NUT M8		1		0,22		
062	911113-1	PAN HEAD SCREW M4X10 WITH WR		1		0,22		
063	AL00000099	CAPACITOR		1		10,61		
064	942051-6	SPRING WASHER 4		2				
065	931102-0	HEX. NUT M4		4		0,42		
066	942051-6	SPRING WASHER 4		2				
067	911113-1	PAN HEAD SCREW M4X10 WITH WR		6		0,22		
068	911113-1	PAN HEAD SCREW M4X10 WITH WR		1		0,22		
069	AL00000134	TOOTHED LOCK WASHER 4		1				
070	AL00000076	BASE		1				
071	AL00000033	SWITCH COVER ASSY		1	*			
072	AL00000032	SWITCH ASSY COVER		1	*			
072-1	AL00000168	SWITCH WITH COVER	<	1		3,71		
073	911113-1	PAN HEAD SCREW M4X10 WITH WR		2		0,22		
074	AL00000031	SWITCH BOARD		1				
075	AL00000134	TOOTHED LOCK WASHER 4		1				
076	911113-1	PAN HEAD SCREW M4X10 WITH WR		1		0,22		
078	AL00000224	WHEEL COVER R(OUTER) CE		1				
079	AL00000078	HEX NUT M16		1				
080	AL00000059	PAN HEAD SCREW M5X5		2				
081	AL00000060	BALANCE PLATE		1				
082	AL00000061	BALANCE WEIGHT		2				
083	AL00000181	WHEEL FLANGE		1		1,07		
084	911156-3	PAN HEAD SCREW M4X30		2				
085	AL00000011	LAMP COVER		1		2,12		

Please order the parts with part number.

Print Date 8/10/2021

Model No.GB801 BENCH GRINDER 205MM

Položka	Objednávacie číslo	Popis	Zmena	ks	New/Old	Predaj	Nákup	Poznámka
086	AL00000013	BULB		1		0,42		
087	AL00000012	LAMP HOLDER ASSY		1	*			
087-1	AL00000138	LAMP HOLDER ASSEMBLY	X	1				
088	911118-1	PAN HEAD SCREW M4X12		2		0,22		
089	AL00000010	STRAIN RELIEF		1				
090	911113-1	PAN HEAD SCREW M4X10 WITH WR		2		0,22		
091	AL00000009	NUT		1		0,22		
092	AL00000194	LAMP COVER BASE		1				
093	AL00000065	CORD CLAMP		1				
094	911107-6	PAN HEAD SCREW M4X8		4				
095	AL00000079	SPARK DEFLECTOR (RIGHT)		1		1,07		
096	942101-7	SPRING WASHER 5		1		0,22		
097	921212-1	HEX. BOLT M5X12		1				
098	AL00000080	COOLANT TRAY		1				
099	AL00000081	COOLANT TRAY PLATE ASSY		1				
100	AL00000083	RUBBER SLEEVE		4		0,22		
101	941101-4	FLAT WASHER 5		4		0,22		
102	911267-4	PAN HEAD SCREW M5X45		4				
103	921351-7	HEX. BOLT M6X30		1				
104	941151-9	FLAT WASHER 6		1		0,22		
105	AL00000014	ADJUSTABLE KNOB		1		0,22		
106	AL00000038	EYESHIELD MOUNTING ARM R		1		1,59		
107	AL00000037	SAFETY EYE SHIELD WITH MAG		1		2,66		
108	931201-8	HEX. NUT M5		1				
109	942101-7	SPRING WASHER 5		1		0,22		
110	931201-8	HEX. NUT M5		1				
111	942101-7	SPRING WASHER 5		1		0,22		
112	AL00000063	INNER FLANGE		1				
113	911211-1	PAN HEAD SCREW M5X12		3		0,22		
114	AL00000223	WHEEL COVER R(INNER) CE		1				
115	AL00000085	WORK REST (RIGHT)		1		2,12		
116	942101-7	SPRING WASHER 5		1		0,22		
117	931201-8	HEX. NUT M5		1				
118	941202-8	FLAT WASHER 8		2		0,22		
119	921411-5	HEX. BOLT M8X12		2				
120	911274-7	PAN HEAD SCREW M5X50		4				
A01	AL00000086	WRENCH 10-13-17		1				
A02	AL00000087	WRENCH 8-24		1				
A03	AL00000195	WRENCH		1				
A04	A-47254	GRINDING WHEEL(BENCH,205)		1	*			
A04-1	B-51976	GRINDING WHEEL (BENCH,205)	<	1				
A05	A-47260	GRINDING WHEEL (BENCH,205)		1				
F01	AL00000147	SAFETY GOGGLES		1				

Please order the parts with part number.

Print Date 8/10/2021